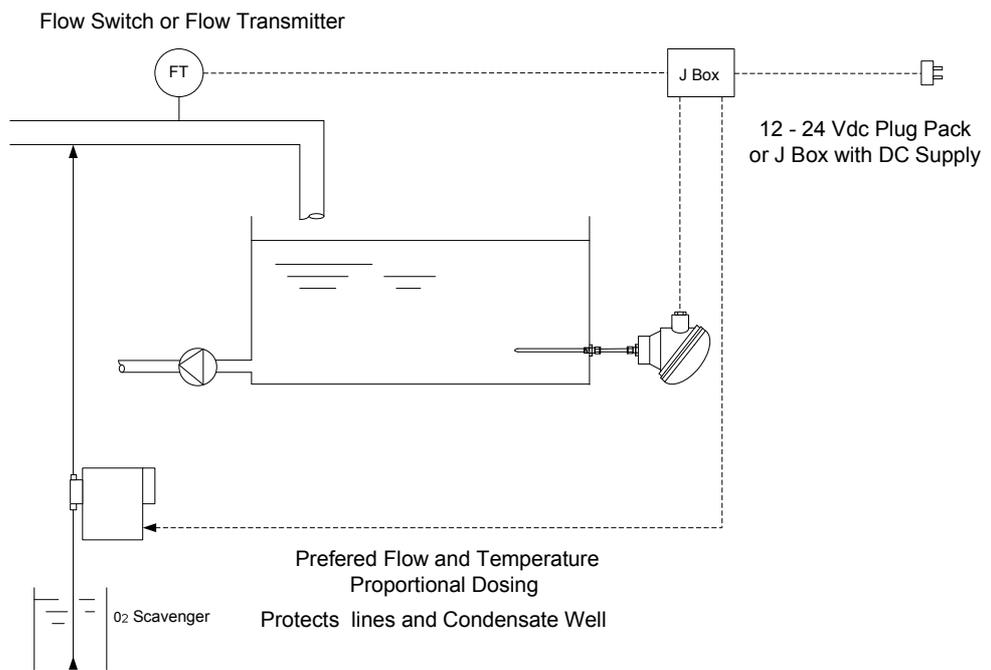
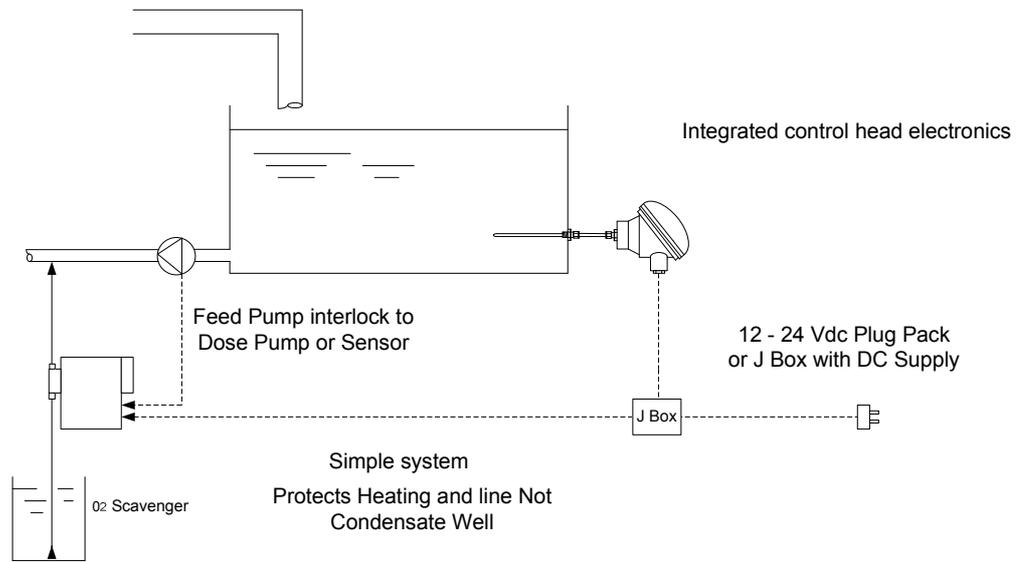
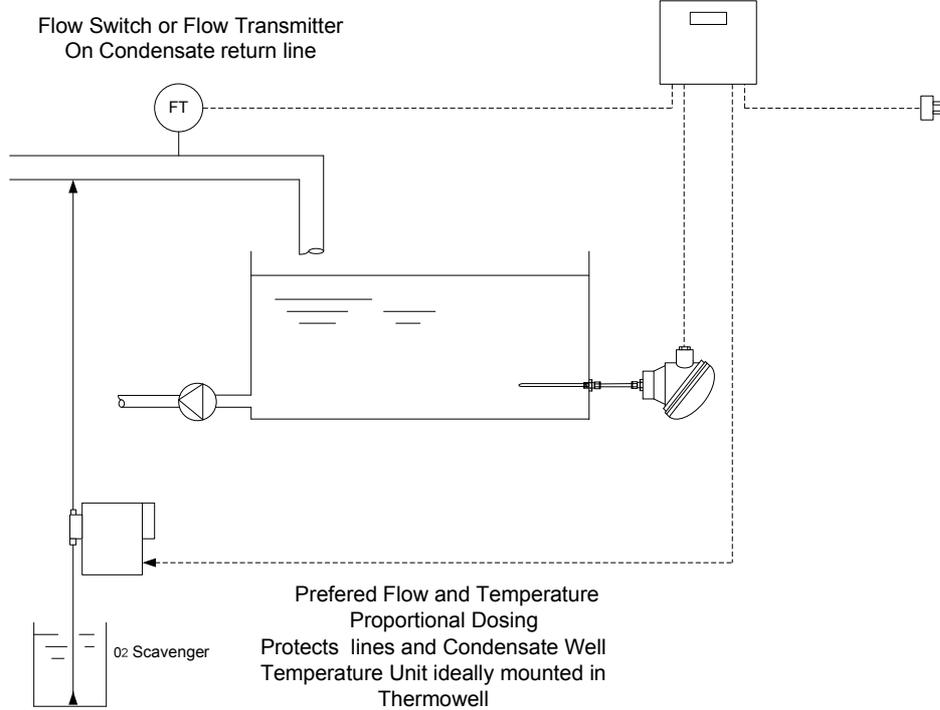


CONTROL SYSTEM ARRANGEMENTS



J Box / Controller with LCD display
Temperature & Flow



Flow Switch or Flow Transmitter
On Condensate return line

FT

O₂ Scavenger

Preferred Flow and Temperature
Proportional Dosing
Protects lines and Condensate Well
Temperature Unit ideally mounted in
Thermowell

